

**NEW
CONCEPT**

ANGLE HEAD **HALF**

MST

NEW

New lineup with max. 20mm(3/4")
for a drill and end-mill, M16(5/8") for a tap.!

90° Type

~φ20
(~3/4")



For drilling·endmilling

~M16
(~5/8")



For tapping



The existing positioning block is available without any modification.



Can be used with all positioning blocks by interchanging the positioning pins.

Free setting of cutting directions

~φ20
(~3/4")

For drilling·endmilling

~M12
(~1/2")

For tapping



120°

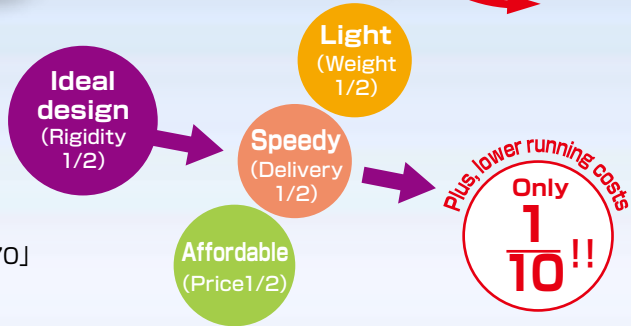
"Optimal design is used to limit the rigidity and accuracy to the necessary levels for drilling and tapping application.

Lightweight [2.3kgs / 5.1lbs]

Speedy [in stock]

Affordable [US\$1,800 / Euro 1,100 / £870]

Increasing additional axis with low cost!"

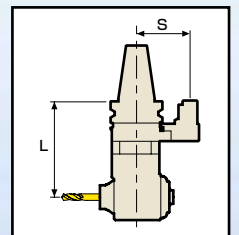
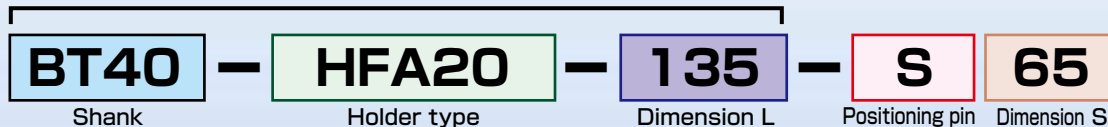


You can carry out maintenance and repairs on your own.

CODE SYSTEM

When placing an order, please mention model no., type of a positioning pin and S dimension.

Angle head Model No.



BT40
BT50
A63
DN40A
DN50A
CT40
CT50

HFA20	Drill	φ5.8 ~ 20 (.23" ~ .79")	C20
HUA20	Endmill		
HFT12	Tap	M3 ~ M16 (# 4 ~ 5/8")	TA12 / TA6
HUT 6		M3 ~ M12 (# 4 ~ 1/2")	TA6

S	Straight pin	
W	Expansion pin	
T	Taper pin	

60(2.36")	BT40 / DN40
65(2.56")	CT40 / A63
80(3.15")	
85(3.35")	BT50 / DN50
110(4.33")	CT50

ANGLE HEAD HALF (HFA20 / HFT12)

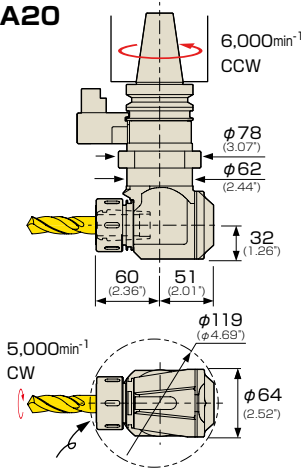
90° Type



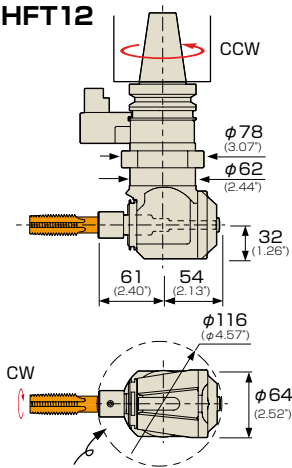
Rotating ratio
Machine : Angle spindle
1 : 0.83

Rotating direction
Machine : Angle spindle
shaft
CCW : CW

HFA20



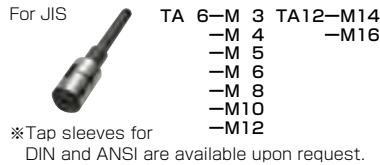
HFT12



SPRING COLLET (For HFA20)



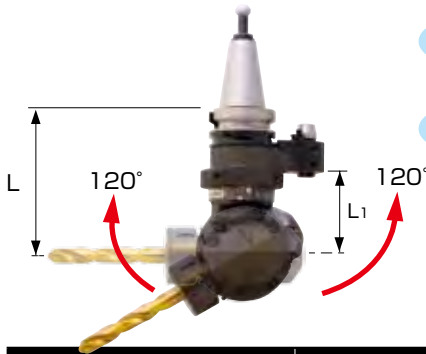
TAP SLEEVE (For HFT12)



CODE	φD Drill φD Tap	L	L ₁	Kg (lbs)
HFA20	5.8~20	135	77	4.4
BT40 -HFT12-135	M3~M16			
-195		195	137	5.6
HFA20		150	77	7.1
BT50 -HFT12-150				
-210		210	137	8.3
-270		270	197	9.4
HFA20	5.8~20	198	137	5.4
A 63 -HFT12-198	M3~M16			
-258		258	197	6.5
HFA20	5.8~20	150	77	4.7
DN40A-HFT12-150	M3~M16			
-210		210	137	5.8
HFA20		150	77	6.6
DN50A-HFT12-150				
-210		210	137	7.8
-270		270	197	8.9
HFA20	5.8~20 (23°~79°)	150	77	4.7
CT40 -HFT12-150	M3~M16 (#4~5/8)			
-210		210	137	5.8
		(8.27)	(5.39)	(12.9)
HFA20		150	77	6.6
CT50 -HFT12-150				
-210		210	137	7.8
		(8.27)	(5.39)	(17.3)
-270		270	197	8.9
		(10.63)	(7.76)	(19.8)

ANGLE HEAD UNIVERSAL HALF (HUA20 / HUT6)

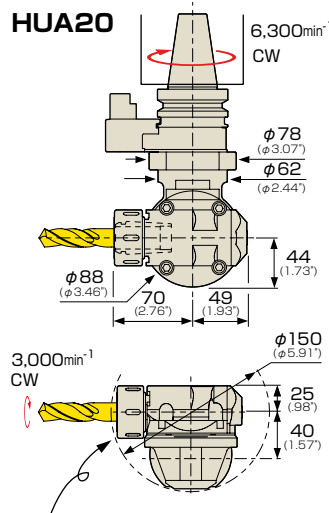
Free setting of cutting directions



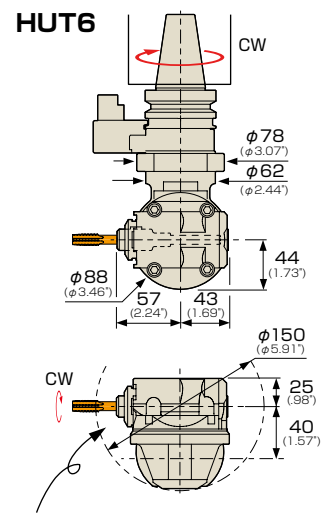
Rotating ratio
Machine : Angle spindle
1 : 0.48

Rotating direction
Machine : Angle spindle
shaft
CW : CW

HUA20

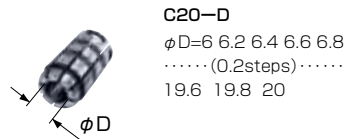


HUT6



CODE	φD Drill φD Tap	L	L ₁	Kg (lbs)
HUA20	5.8~20	135	77	4.8
BT40 -HUT 6-135	M3~M12			
HUA20		150		7.5
BT50 -HUT 6-150				
HUA20	5.8~20	150	77	5.0
DN40A-HUT 6-150	M3~M12			
HUA20				7.0
DN50A-HUT 6-150				
HUA20	5.8~20 (23°~79°)	150	77	5.0
CT40 -HUT 6-150	M3~M12 (#4~1/2)			
		(5.91)	(3.03)	(11.0)
HUA20				7.0
CT50 -HUT 6-150				
				(15.4)

SPRING COLLET (For HFA20)



TAP SLEEVE (For HFT12)



MST corporation

<http://www.mst-corp.co.jp>

1738 Kitatahara Ikoma Nara 630-0142 Japan
TEL:81-743-78-1931 FAX:81-743-78-3854