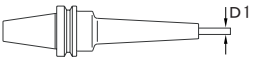
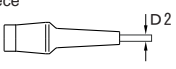



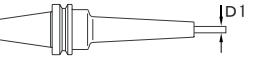
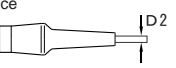

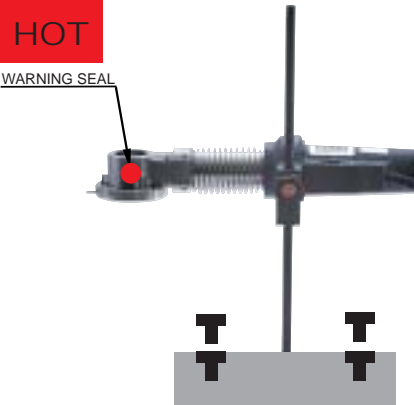

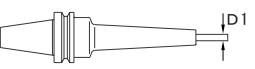
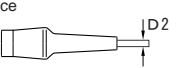



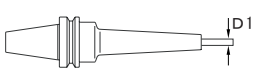
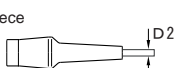




HEATERS NEW SYSTEMS

CODE	SPEC	HEATER
HRJ-02-12	<p>mono block</p>  <p>D1=3 ~12 (.118~.472 inch)</p> <p>2piece</p>  <p>D2=3~12 (.118~.472 inch)</p> <p>small</p>  <p>D3=3~20 (.118~.787 inch)</p>	 <p>120V-1200W</p> 
HRB-03-23	<p>mono block</p>  <p>D1=3~25 (.118~.984inch)</p> <p>2piece</p>  <p>D2=3~12 (.118~.472 inch)</p> <p>small</p>  <p>D3=3~20 (.118~.787 inch)</p>	 <p>230V-3000W</p> 
HR-02	<p>mono block</p>  <p>D1=3 ~12 (.118~.472 inch)</p> <p>2piece</p>  <p>D2=3~12 (.118~.472 inch)</p> <p>small</p>  <p>D3=3~20 (.118~.787 inch)</p>	 <p>100V-1020W</p> 
HOT SHOT Jr	<p>mono block</p>  <p>D1=3~25 (.118~.984inch)</p> <p>2piece</p>  <p>D2=3~12 (.118~.472 inch)</p> <p>small</p>  <p>D3=3~20 (.118~.787 inch)</p>	 <p>120V-3000W</p> 