

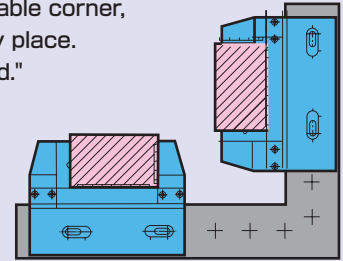
# MIDDLE VISE

## Independent fine-tuning capability

Workpiece is fine-tuned after clamping.  
 Horizontal fine-tuning · · · Leveling bolt  
 Parallel fine-tuning · · · · Swing bolt

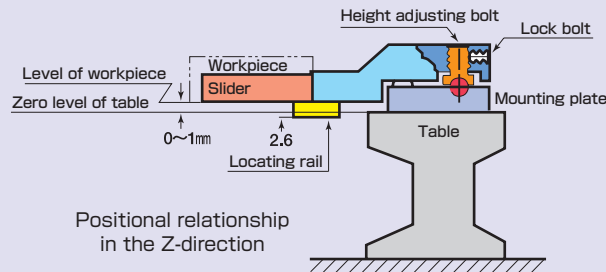
## High flexibility in choosing installation place compact design

"This product does not use a table corner, allowing it to be installed in any place. Multiple pieces may be installed."



## Height adjusting mechanism

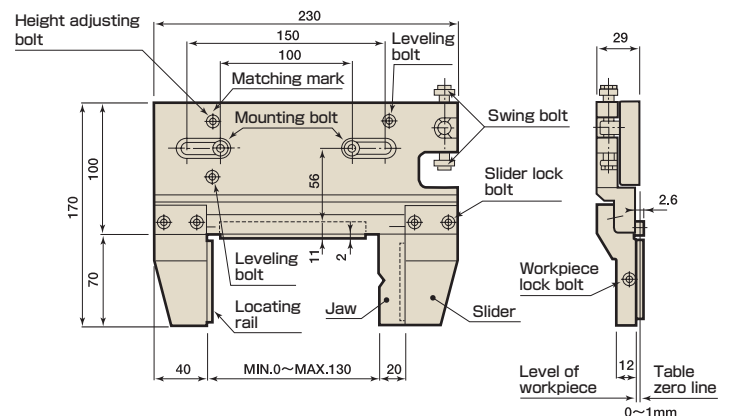
The clearance between the zero level of the table and the level of the workpiece can be set to 0 or 1 mm.



<b>CODE</b>
<b>MDV-501</b>

- Description
1. A complete set of main body (including 2 sliders and 1 jaw)
  2. Allen wrench (1 each: 2.5, 4, and 6 mm)
  3. 10 mm spanner (1)
  4. M8 mounting bolts and washers (25 ea.)

<b>Maximum dimensions of workpiece</b>	130×100mm
<b>Maximum weight of workpiece</b>	3kg
<b>Weight of main body</b>	5kg
<b>Material</b>	SUS420J2



OPTION

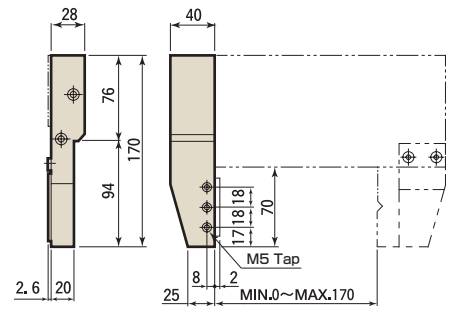
**EXTENSION JAW JAE – 501**

For large workpieces



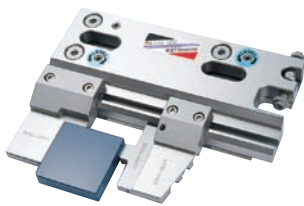
<b>CODE</b>
<b>JAE-501</b>

Max. dimensions of workpiece :  
170 × 100



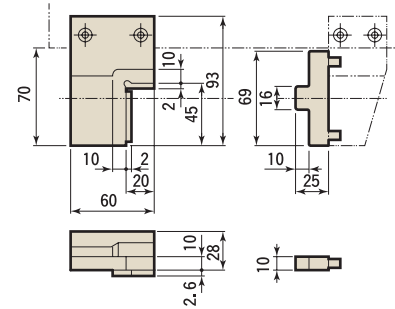
**L-SLIDER SRL – 501**

For small workpieces



<b>CODE</b>
<b>SRL-501</b>

Min. dimensions of workpieces:  
15 × 15 × 6t  
Max. dimensions of workpiece :  
40 × 60 × 30t



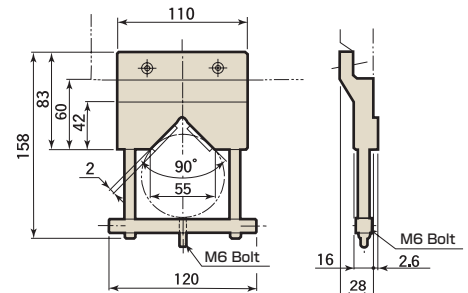
**V-SLIDER SRV – 501**

For round workpieces



<b>CODE</b>
<b>SRV-501</b>

Min. dimensions of workpieces:  
φ 20 × 8t  
Max. dimensions of workpiece :  
φ 70 × 30t



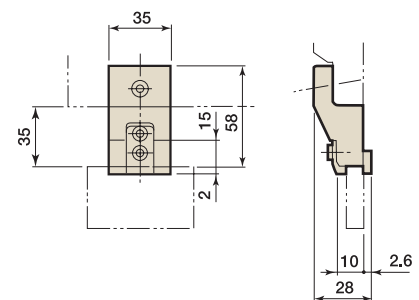
**SANDWICH SLIDER SRS – 501**

For small and thin workpieces



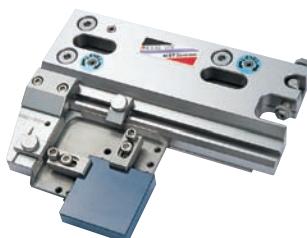
<b>CODE</b>
<b>SRS-501</b>

Max. dimensions of workpiece :  
60 × 60  
t=6 ~ 20



**SANDWICH SLIDER SRC – 501**

The workpiece can be attached to the jaw using the clamber. An extension plate can also be used.



<b>CODE</b>
<b>SRC-501</b>

Max. dimensions of workpiece :  
130 × 130  
t=18 ~ 35

