



SHRINK FIT
HEATER

HEAT ROBO

100V

DENJI
電磁 1200

DENJI is Japanese, it means electromagnetic induction

NEW

For shrink fit tool holder, SLIMLINE only

**INDUCTION
HEATING
SYSTEM**

Desk type

COMPACT

Heating time
18 sec.

Heating coil

Two coils
cover dia.3-12mm
cutter shank

Holder adapter
(Option accessories)



14kg

0602E

MST corporation

Standard set

| | |
|------------------|---------------|
| Model no. | HRD-01 |
|------------------|---------------|

Base unit




Heating coil, 2 pcs (Coil 1 and Coil 2)

Standard accessories

Base unit set

| | |
|------------------|----------------|
| Model no. | HRD-01H |
|------------------|----------------|

Standard accessories



Option

Heating coil

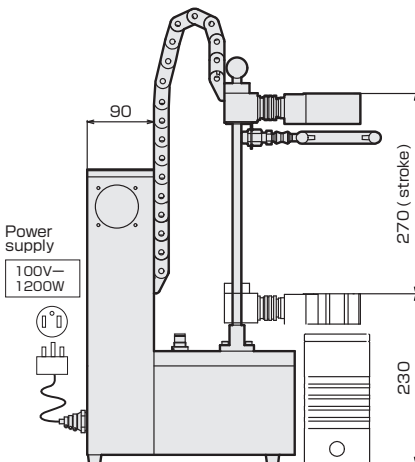
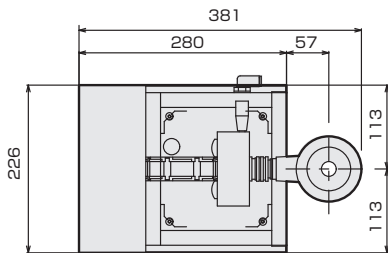
| | Model no. | Heating time |
|--------|------------|--------------|
| Coil 1 | HRD-CL1-01 | 18sec |
| Coil 2 | -CL2-01 | 33sec |



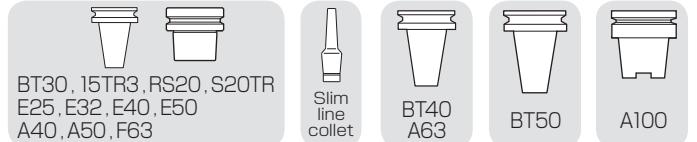
Coil 1
(dia3 ~ 6 mm)
(cutter shank)



Coil 2
(dia7 ~ 12 mm)
(cutter shank)



Holder



Holder adapter

| Model no. | |
|-----------|---------------|
| ADT-30J | BT30 |
| -15TR3 | 15TR3 |
| -20TR | RS20, S20TR |
| -HSK25 | E25 |
| -HSK32 | E32 |
| -HSK40 | A40, E40 |
| -HSK50 | A50, E50, F63 |



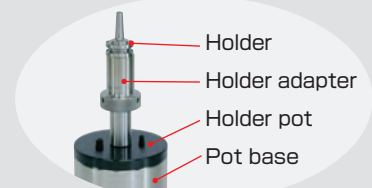
Holder pot

| Model no. | |
|-----------|---|
| ADP-40 | BT40, A63 |
| -50 | BT50 |
| -SLK | Slimline collet Straight arbor Holder adapter |



Pot base

| Model no. |
|-----------|
| PBA-01 |



Operation panel (touch panel)

